

Terminal Block, Terminal

STB1223V-3.5-XX

Description

The STB1223V-3.5-XX is a Vertical Terminal Block Terminal with a 3.5 mm pitch and a double row Pins. The connector is available from 2x2 up to 2x24 poles.

Typical applications

- Wire to Board
- Board to Wire



Features

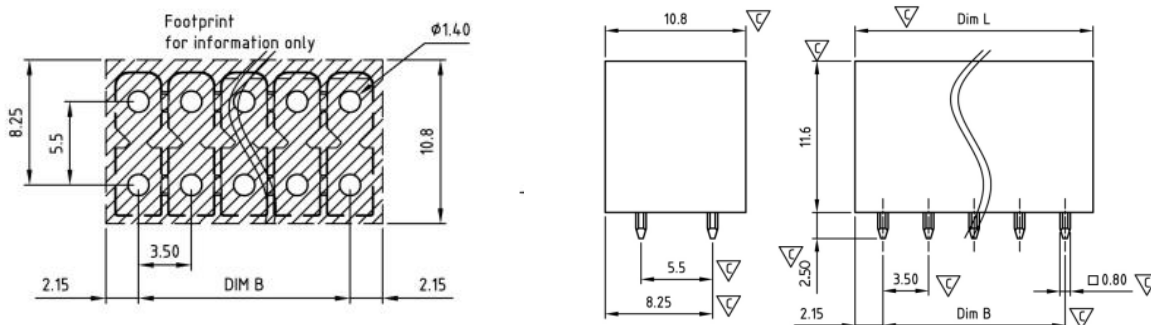
Mechanical Properties	Description	
Connector Type	Header	
Dimensions	$((\text{poles}-1 \times 3.5) + 4.30) \times 11.6 \times 10.8\text{mm} \pm 0.4$	
Operating Temperature Range	-40°C~+105°C	
Pitch	3.5 mm	
Number of contacts	02 ~ 24	
Contact Material	Copper Alloy, Sn plated	
Housing	PA66 UL 94V-0	
Electrical Properties	Description	
Standard	UL	IEC
Rated Voltage	300V	250V
Rated Current	8A	7A
Withstanding Voltage	AC 1600V / 1Min.	

Terminal Block, Terminal

STB1223V-3.5-XX

Dimensions

*unit: mm



Pole	2	3	4	5	6	7	8	9	10	11	12	13
Length	7,8	11,3	14,8	18,3	21,8	25,3	28,8	32,3	35,8	39,3	42,8	46,3
Pitch	3,5	7	10,5	14	17,5	21	24,5	28	31,50	35	38,5	42

Pole	14	15	16	17	18	19	20	21	22	23	24
Length	49,8	53,3	56,8	60,3	63,8	67,3	70,8	74,3	77,8	81,3	84,8
Pitch	45,5	49	52,5	56	59,5	63	66,5	70	73,5	77	80,5

Part number

STB1223X-XXX-XX

STB2020	Style of connector
V	Vertical
3,5	Pitch
XX	Poles
	2,3,4,5,6,7,8, 9,10, 11,12,
	13,14,15,16,17,18,19,20, 21,22,23,24

Terminal Block, Terminal

STB1223V-3.5-XX



Ordering information

Ordering can be done via www.summit-electronics.com or via info@summit-electronics.com. Please contact us for more information. Customisation of the product is available on request.

Technical support

For all product questions please contact us via info@summit-electronics.com

Document revision

Rev	Date	changes
V01.00	06-04-2023	First issue of document